



wildsun K25^{TC}

USER MANUAL V1

ENGLISH VERSION
02 2019



AYRTON

Digital Lighting

SUMMARY

4	Introduction
4	Safety instructions
4	Conditions of use
5	Presentation and features
6	Dimensions
6	Description
7	Installation instructions
7	Installation method using truss hooks
7	DMX512 connection
8	DMX512 connection with termination plug
8	The WILDSUN-K25 TC DMX address setting
8	Control Panel
9	WILDSUN-K25 TC control panel menu - Option details
12	Master/Slave Mode settings
13	Led mapping
14	DMX Chart
15	Error Messages
15	Care and maintenance
15	Technical Specifications
16	Warranty

INTRODUCTION

Thank you for selecting the AYRTON WILDSUN-K25 TC luminaire.

WARNING !

This product is not suitable for household use.

You now own a professional lighting unit that offers endless possibilities. Before installing, make sure that no damage was done to your luminaire during transport. If this is the case, do not use the product and immediately contact your authorized AYRTON dealer.

For your own safety and that of others, please read this instruction manual carefully before installing the unit.

Anyone involved in installing, operating or servicing the WILDSUN-K25 TC must:

- Be a qualified, authorized professional
- Strictly follow the instructions in this user manual.

Please take the time to read this manual carefully and thoroughly before installing and operating the luminaire. You should have a good knowledge of its operating conditions and all pertinent product information.

After you have become familiar with this manual, we recommend that you keep a copy for future use. All the information found in this manual is subject to change without notice. AYRTON reserves the right to modify and upgrade its range of products, with no obligation to integrate these changes into products already sold.

SAFETY INSTRUCTIONS

Please read the safety instructions and warnings in this manual carefully before installing and operating the WILDSUN K25.

WARNING!

Risk of electric shock.

Use caution when handling. This luminaire requires high voltage, which can result in electric shock.

The WILDSUN-K25 TC left our factory in perfect working condition. However, if you notice a defect, immediately contact your authorized AYRTON dealer before use. The manufacturer cannot be held responsible for damages caused by a failure to follow the safety, installation or assembly instructions contained herein, or by any modification made to the luminaire.

Failure to observe the safety, installation or assembly instructions contained herein, or any modification made to the WILDSUN-K25 TC luminaire will render the warranty null and void.

Check that the supply voltage does not exceed the maximum authorized limit. Check that your electrical installation complies with current standards.

In all cases, make sure that the power cables attached to your WILDSUN-K25 TC have not been damaged due to cuts and splices or crushed in any way. Handle these cables with extreme caution while they

are connected to a power source.

Your WILDSUN-K25 TC conforms to Class 1 safety standards. The unit must be grounded electrically. Make sure that the power source connected to your WILDSUN-K25 TC is switched off before attempting any work on it.

Installation and connection to an electrical source must be performed by an authorized installer. AYRTON declines all responsibility should this luminaire be installed by an unqualified person.

Never disconnect your WILDSUN-K25 TC by pulling on the power cable! First unlock the connector lock ring on the power cable until it is fully disengaged, and then gently pull on the connector to disconnect the cable.

Do not connect or disconnect the power cable of your WILDSUN-K25 TC with wet hands.

At first use, your WILDSUN-K25 TC may give off an odor. This is a normal occurrence that should dissipate after a few minutes of operation.

WARNING!

Do not connect or disconnect the power cable at your WILDSUN K25 if the cable is energized! This could cause arcing and damage your WILDSUN K25, requiring repair.

Be careful to power off your COSMOPIX-R by removing the power plug from the source, before connecting or disconnecting the luminaire.

WARNING!

*This unit contains Class 2 LED emitters (EN60625-1): 1994)
Blue Light Hazard : Risk Group 2*

This luminaire uses multiple high-power (Class 2) LED-type (Light Emitting Diode) lamps. Never look directly into the lamps if lit or stand directly in line with the luminaire if close by.

Installation, removal or replacement of the unit must be performed with power off to prevent any risk of glare and eye injury.

WARNING!

The fixture quickly becomes very hot during operation.

To avoid risk of burn, never handle or adjust the luminaire while it is energized and after it has been lit for more than 10 consecutive minutes. Some parts of the luminaire can reach a high temperature, particularly the body/radiator. Turn off the luminaire and wait for it to cool before handling.

CONDITIONS OF USE

Your WILDSUN-K25 TC is a moving-head luminaire equipped with multiple LEDs intended for professional use (e.g., architectural, stage, television, theater, or museum lighting).

The WILDSUN-K25 TC luminaire has an IP20 protection rating. It is intended strictly for indoor use. It must never be partially or fully submerged, even temporarily.

Condensation may form on your WILDSUN-K25 TC in the following cases:

- Immediately after turning on the heating
- In places with fog or a high level of humidity
- When the luminaire is suddenly moved from a cold to a warm environment, or vice versa.

In such cases, you must wait until the luminaire readjusts to the ambient temperature of the room where it will be installed for operation.

Do not shake the WILDSUN-K25 TC while installing or handling.

Do not pull the WILDSUN-K25 TC by one of its cables to move it. Lift the luminaire by its handles.

Choosing the appropriate place to install the WILDSUN-K25 TC is essential. The following points should be observed:

- Do not expose it to a heat source.
- Do not install it near flammable materials.
- Be sure that dust or miscellaneous debris cannot clump around the body of the luminaire as this may interfere with its optimal cooling and proper operation.
- The WILDSUN-K25 TC must be installed out of reach of the public and all persons not authorized to operate the luminaire.

We recommend a minimum distance of 5 m between the outside surface of the light and the illuminated object.

Due to the nature of its cooling principle, you should never prevent air from circulating around the body of the luminaire. You must provide a minimum clearance around your WILDSUN-K25 TC to allow for cooling.

The WILDSUN-K25 TC can be installed in a ground pit or any other confined enclosure only under certain conditions. With this kind of installation, a system of forced ventilation should be used up to allow air to circulate freely around the luminaire(s). The air must be constantly renewed because the luminaire cannot be operated in closed system. Failure to comply with these requirements may destroy or prematurely wear the WILDSUN K25, and AYRTON cannot be held responsible. Please consult your AYRTON dealer for more information on this type of installation.

No load should be placed on the WILDSUN K25. The fixture must not be installed in such a way as to allow a person, vehicle or any object to run over or park on it.

Never lay or drop any hard, heavy, or blunt, objects on the WILDSUN K25. This includes items made of glass or porcelain (e.g., bottles, dishware, or glass beads). The luminaire is made of materials such as plastic and extruded aluminum, making it resistant but not unbreakable. Objects made of hard materials such as steel or glass that fall on the unit may cause breakage of the plastic parts or the body. AYRTON cannot be held responsible for the luminaire's broken plastic parts or body, which are not covered under warranty.

The temperature of the room where the WILDSUN-K25 TC is installed must never exceed 45°C (Ta = 45°C).

The WILDSUN-K25 TC luminaire requires a 207-240 VAC supply voltage. Check that your luminaires have been installed for an application that is compatible with this information.

Check that the brackets on which you hang or attach your WILDSUN-K25 TC can sustain the weight of the luminaire (38 kg), taking into consideration

all necessary safety factors.

Do not use your WILDSUN-K25 TC before being familiar with these recommendations and do not allow unqualified personnel to handle the product.

To transport your WILDSUN K25, we strongly recommend that you use the complete original packaging, including the dense protective foam inserts.

If your WILDSUN-K25 TC is not being used for a long period, you should disconnect the luminaire from the power source.

Never dispose of the WILDSUN-K25 TC in a rubbish bin. Ensure that it is recycled. Please consult the current legislation in your country on recycling electronic equipment.

PRESENTATION AND FEATURES

WILDSUN-K25 TC is a non-waterproof moving head wash light (IP20 protection rating) using the latest generation of high-performance of LED-type lamps.

This luminaire can be controlled remotely by an external DMX512 signal.

The WILDSUN-K25 TC incorporates high power white LEDs.

The WILDSUN-K25 TC has a total of 217 LEDs that can be controlled by height independent zones. The luminaire requires from 11 to 22 DMX channels to be controlled via an external command system that sends a DMX512 signal (see below for details).

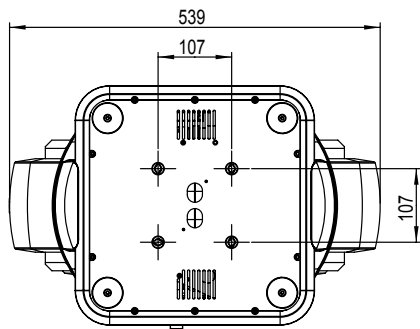
To adjust the settings on the WILDSUN-K25 TC (i.e., DMX address, DMX operating mode and other options), a Remote Device Management (RDM)-type DMX controller may be required. The DMX RDM protocol is a universal, widely used standard.

There are a multitude of RDM DMX controllers on the market from different manufacturers (excluding AYRTON). It is worth noting that an RDM DMX controller is not required to change the settings on the WILDSUN K25. A light console or any standard DMX-type controller is sufficient.

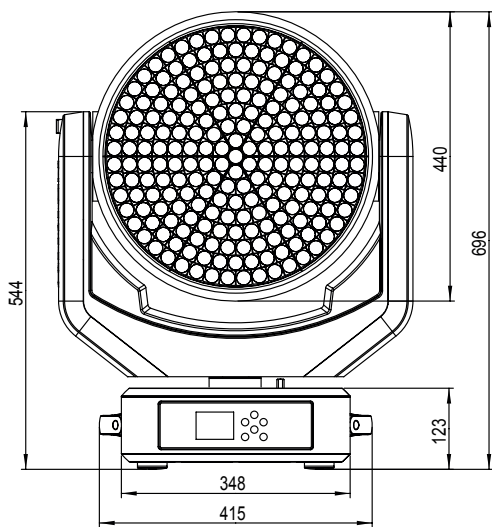
The WILDSUN-K25 TC consists of a metal frame and plastic covers. The power connectors and DMX512 signal connectors are on the back of the fixture's base.

DIMENSIONS

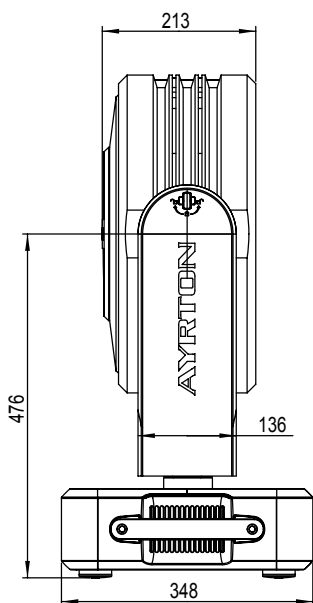
Bottom view



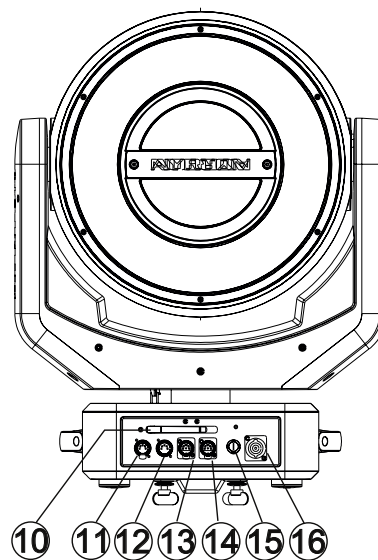
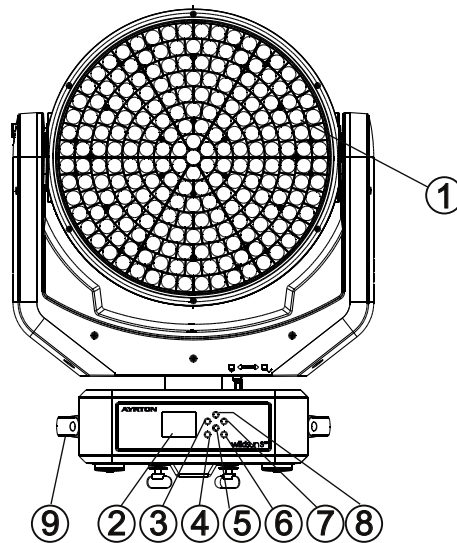
Front view



Side view



DESCRIPTION



1. LED Assembly
2. Display
3. Left button
4. Mode/Esc button
5. Down button
6. Enter button
7. Right button
8. Up button
9. Handle
10. Antenna – Wireless DMX
11. 5-Pin DMX Out
12. 5-Pin DMX In
13. RJ45 Out
14. RJ45 In
15. Fuse
16. Power In

INSTALLATION INSTRUCTIONS

During installation please observe the instructions according to GB7000.15 / EN60598-2-17 standards and other national standards applicable. This luminaire should be installed by a qualified technician.

The fixture should be used in an environment with a temperature between -5°C and +45°C. Do not operate the luminaire outside this temperature range.

The luminaire must be hung so that the weight of this unit multiplied by 10 can be sustained for 1 hour without causing the suspension system or the supporting structure to be deformed.

The installation must always be secured at a second attach point, e.g., by a safety cable of the appropriate size. Do not stand under the luminaire while it is being installed, dismantled or serviced.

The operator must ensure that a qualified technician has approved the installation of the luminaire for safety before it is first operated.

Installation should be inspected once a year by a qualified technician.

WARNING!

The installation of this luminaire must be validated by a qualified technician before it is used for the first time.

The luminaire should be installed in a location where the public cannot touch, walk or sit on the luminaire.

Suspending the luminaire and/or installing it high up requires considerable experience, e.g., calculating load, selecting and adapting quality fastening materials, and periodically inspecting the entire installation. Without this skill and knowledge, do not attempt to install this unit by yourself. Improper installation may cause an accident resulting in personal injury or death.

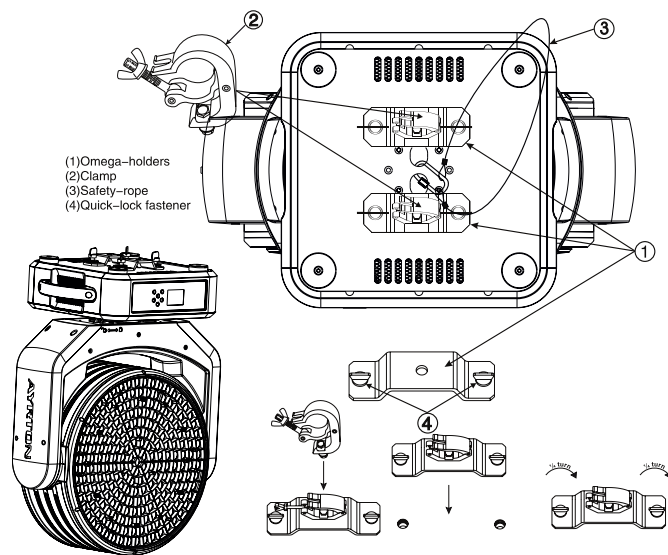
WARNING!

The luminaire should be connected to an electrical source by a qualified electrician.

Before installing the luminaire make sure that the selected installation spot can support at least 10 times the weight of the unit. Connect the luminaire to the power source by the power cord.

INSTALLATION METHOD USING TRUSS HOOKS

Refer to the following diagram when installing the WILDSUN-K25 TC with truss hooks using omega bracket:



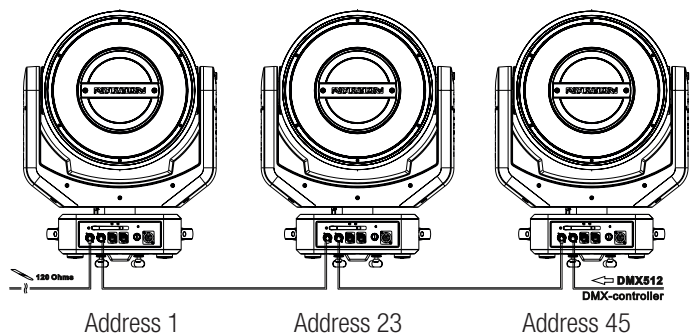
- Attach the clamp to the omega bracket using an M12 screw.
- Insert the quick-lock fasteners of the first omega bracket into the respective holes on the base of the unit. Turn the quick fasteners fully clockwise.
- Install the second omega bracket.
- Insert the safety cable through the holes at the bottom of the base and the truss or a stable attachment point. Insert the end into the hole and tighten the safety screw.

Note: The last step is very important to ensure that the luminaire does not fall.

DMX512 CONNECTION

Connect the DMX input (XLR connector) cable of the luminaire to the DMX output (female XLR connector) of your controller. You can connect multiple luminaires to this same DMX line in a daisy chain. The DMX cable must be a shielded twisted pair that is equipped with male and female XLR connectors.

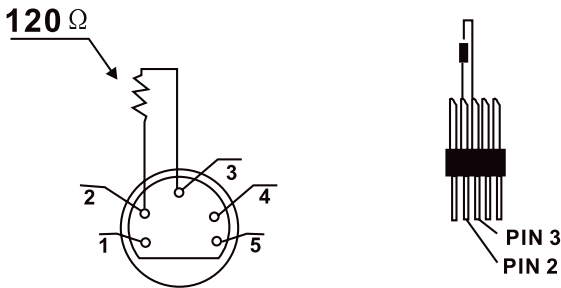
Refer to the following diagram when connecting the WILDSUN-K25 TC luminaires in a daisy chain:



DMX512 CONNECTION WITH TERMINATION PLUG

For installations where the DMX cable must extend over long distances, or if it is located near areas with major electrical disturbance, it is recommended to use a DMX termination plug. This helps prevent luminaires from malfunctioning due to interference. The DMX termination plug, composed simply of a male XLR input connector with a 120-Ohm resistor, is soldered between pins 2 and 3. This plug must be connected to the DMX output of the last luminaire in the chain.

Refer to the following diagram:



SING DMX VIA ART-NET

To control the WILDSUN-K25 TC via ART-NET, the fixtures must be interconnected with CAT5 RJ45 cable. Be careful to enter all necessary information into the ART-NET universe being used and specify in the menu that the WILDSUN-K25 TC is being controlled through ART-NET (see OPTION DETAILS in the « OPTIONS » menu).

WARNING!

THE WILDSUN-K25 TC CAN ONLY READ THE FIRST TWENTY FOUR UNIVERSES OF AN ART-NET PACKAGE. IF YOU HAVE MORE THAN 24 UNIVERSES IN YOUR NETWORK, YOU MUST USE A CONFIGURABLE SWITCH TO FILTER EACH RJ45 OUTPUT.

THE WILDSUN-K25 TC DMX ADDRESS SETTING

All luminaires have a DMX start address correctly set when using a DMX signal to control them. The DMX start address is the channel from which the luminaire “listens” to the digital control information sent by the DMX controller.

The start address must conform to the one recorded on the DMX controller to run the luminaire. This address is the DMX value that appears on the luminaire’s display. You can set the same address for all the luminaires, or some of them, but you can also set a different address for each luminaire, as needed.

If you do set the same address for all the luminaires, they will all “listen” from the DMX channel you have set. The instructions sent by the DMX controller will affect all luminaires at the same time. If you set a different address per luminaire, the DMX controller can control each independently.

If, for instance, the fixtures are preset in 22-channel DMX mode (required for full control), you will need to adjust the DMX address for the luminaires as follows: The first unit with DMX address 001, the second with DMX address 023 (22 + 1), the third with DMX address 045 (22 + 23), etc.

CONTROL PANEL (MENU OPTIONS)

A large number of settings are accessible from the fixture’s control panel. A good working knowledge of it will enhance the fixture’s possibilities.

You can access the Main Menu by pressing the **mode esc** key until the display flashes.

Cycling through the menus is performed by pressing the **▲**, **▼**, **◀** or **▶** keys, as required:

Press the **enter** key to select the desired menu. Change the selection by pressing the **▲**, **▼** or **◀**, **▶** keys. Confirm your selection by pressing the **enter** key.

Exit a menu at any time by pressing the **mode esc** key.

Notes:

You can return to the display by pressing the **◀** or **▶** keys from the basic display.

If the screen fails to respond, hold the “Mode Esc” key down for at least 3 seconds to free up the display.

The fixture’s menu functions are described in the following table:

Address	Set Dmx Addr	A001~AXXX	DMX address setting
Mode	User Mode	Stand Mode Basic Mode Extend Mode User Mode A User Mode B User Mode C	User’s mode to change channel numbers
	Edit User	Max channel PAN :	Edit DMX profile
Options	Status	No DMX Mode Pan Reverse Tilt Reverse Pan Degree Feedback Pan/Tilt Spd Hibernation	Close/Hold/Auto/Music ON/OFF ON/OFF 630/540 ON/OFF Speed 1~ 4 OFF, 01min > 99min
	Service PIN	Service PIN RDM PID Set IP	Auto run if no DMX Pan Reverse movement Tilt Reverse movement Pan Degree Select Movement Feedback Reset Pan/Tilt Stand by Mode
	Fans Control	Auto Stage Studio	Service Password=050* RDM PID Code IP Addr
	Disp.Setting	Shutoff Time Flip Display Key Lock Disp Flash	Head Fans’ Speed Mode Select
	Signal Select	DMX WDMX ArtNet sACN	Display shutoff time Reverse 180 degree Key Lock No Signal Flash
	Set Universe	xx	DMX Wireless DMX Art-Net sACN
	Temp. C/F	Celsius Fahrenheit	Art-Net Universe NO.
	Initial Pos.	PAN =XXX	Temperature switch between °C/°F
	Wireless DMX	Activate WDMX Act&Data Out Rest WDMX	Initial effect position
	Trigger	DMX Value Disp. Set To Slave Auto Program	Activate WDMX Activate & Data Out Reset Wireless DMX Mem
Reset Default	ON/OFF	DMX value display Slave setting Auto program	
Info	Time Info.	Current Time Ttl Life Hrs Last Run Hrs Timer PIN Cir Last Run	Restore factory sett.
	Temp. Info	Head Temp.	XXXX(Hours) XXXX(Hours) XXXX(Hours) Password=XXX ON/OFF
	Software Ver	V1.0...	XXX °C/°F
	Network	IP.Mask,Mac	Software version
			Network setting

Test	Home	All Pan&Tilt	Reset all motors Reset Pan&Tilt	
	Test Channel	PAN	Test function	
	Manual Ctrl.	PAN =XXX :	Fine adjustment of parameters	
	Calibration	--Password-- PAN :	Password "050" Calibrate and adjust the effects to standard/right position	
Preset	Select Prog.	Prog. Part 1 = Program 1 ~ 10 Program 1 Prog. Part 2 = Program 1 ~ 10 Program 2 Prog. Part 3 = Program 1 ~ 10 Program 3	Select programs to be run	
	Edit Prog.	Program 1 : Program 10	Program Test Step 01=SCxxx Step 64=SCxxx Testing program Program in loop Save and exit	
	Edit Scenes	Edit Scene 001 ~ Edit Scene 250	Pan,Tilt, --Fade Time-- --Secne Time-- Input By Outside	Save and automatically return manual scenes edit
	Scenes Input	XX~XX	Automat. scenes rec	

WILDSUN-K25 TC CONTROL PANEL MENU – OPTION DETAILS

The following section provides details on the options that can be selected through the control panel menu. Refer to the table above.

Note: You can exit this menu at any time by pressing "Mode Esc" repeatedly until you return to the home screen.

ADDRESS

Allows you to change a DMX address from the fixture's control panel.

- ◆ Access the menu by pressing the "Mode Esc" key.
- ◆ Go to the "ADDRESS" menu and press "Enter", then find "Set DMX Address."
- ◆ Use the up/down arrows to scroll through until you locate the desired address and press "Enter" to confirm.

MODE

USERS MODE

Allows you to select the DMX mode from the following: "Basic Mode" (11 DMX channels), "Standard Mode" (14 DMX channels), "Extended Mode" (21 DMX channels), "User Mode A", "User Mode B", "User Mode C."

- ◆ Access the menu by pressing the "Mode Esc" key.
- ◆ Use the up/down arrow keys to reach the "MODE" menu and press "Enter." Then from "User Mode" choose one of the 6 modes above. Consult the "CHART DMX" table for more information on Basic, Standard and Extended Mode. "User Modes A", "B", or "C" are user-definable.

EDIT USER A, B, C

To customize the mode, go to "MODE" and select "Edit UserMode A, B or C" and press "Enter." Scroll through each setting and press "Enter" to set the desired address.

OPTIONS

STATUS

No DMX Mode

Defines the fixture's state when there is no command signal from the DMX

controller. The fixture can either launch a program automatically, close the shutter, or even remain in the state when the last DMX values (Hold) were received. The default setting is "Hold."

- ◆ Access the menu by pressing the "Mode Esc" key.
- ◆ Use the up/down arrow keys to reach the "OPTION" menu and press "Enter." Then use the left/right arrow keys to select "Status." Finally, use the left/right arrow keys to select "No DMX Mode."
- ◆ Scroll through the different options using the left/right arrows and press "Enter" to confirm.

Pan Reverse

Reverses the PAN movement.

- ◆ Access the menu by pressing the "Mode Esc" key.
- ◆ Use the up/down arrow keys to reach the "OPTION" menu and press "Enter." Then use the left/right arrow keys to select "Status." Finally, use the left/right arrow keys to select "Pan Reverse."
- ◆ Scroll through the different options using the left/right arrows and press "Enter" to confirm.

Tilt Reverse

Reverses the direction of the TILT movement.

- ◆ Access the menu by pressing the "Mode Esc" key.
- ◆ Use the up/down arrow keys to reach the "OPTION" menu and press "Enter." Then use the left/right arrow keys to select "Status." Finally, use the left/right arrow keys to select "Tilt Reverse."
- ◆ Scroll through the different options using the left/right arrows and press "Enter" to confirm.

Pan Degree

Adjusts the amplitude of the PAN movement at 630° or 540°.

- ◆ Access the menu by pressing the "Mode Esc" key.
- ◆ Use the up/down arrow keys to reach the "OPTION" menu and press "Enter." Then use the left/right arrow keys to select "Status." Finally, use the left/right arrow keys to select "Pan Degree."
- ◆ Scroll through the different options using the left/right arrows and press "Enter" to confirm.

Feedback

Readjusts the PAN and TILT positions automatically in the event of accidental shifting due to a physical shock.

- ◆ Access the menu by pressing the "Mode Esc" key.
- ◆ Use the up/down arrow keys to reach the "OPTION" menu and press "Enter." Then use the left/right arrow keys to select "Status." Finally, use the left/right arrow keys to select "Feedback."
- ◆ Scroll through the different options using the left/right arrows and press "Enter" to confirm.

Pan/Tilt Spd

You can choose between four movement speeds, from "Speed 1" to "Speed 4." The "Speed 1" setting is the fastest.

- ◆ Access the menu by pressing the "Mode Esc" key.
- ◆ Use the up/down arrow keys to reach the "OPTION" menu and press "Enter." Then use the left/right arrow keys to select "Status." Finally, use the left/right arrow keys to select "Pan/Tilt Spd."
- ◆ Scroll through the different options using the left/right arrows and press "Enter" to confirm.

Hibernation — Standby mode

The LEDs and the pan/tilt motors will be powered down if the luminaire receives no DMX signal for several minutes (default setting is OFF). If the DMX signal is restored after this time limit, the luminaire will perform a RESET before resuming normal operation.

- ◆ Access the menu by pressing the “Mode Esc” key.
- ◆ Use the up/down arrow keys to reach the “OPTION” menu and press “Enter.” Then use the left/right arrow keys to select “Status.” Finally, use the left/right arrow keys to select “Hibernation.”
- ◆ Scroll through the different options using the left/right arrows and press “Enter” to confirm.

SERVICE PIN

WARNING! For normal operation the “Service pin” menu information should not be changed. Contact your dealer for more information.

Service PIN

Allows you to enter a password to access the advanced options such as RDM PID, Set IP, Set Device IP, Set LED BIN and Change to bin (pwd: 50).

- ◆ Access the menu by pressing the “Mode Esc” key.
- ◆ Use the up/down arrow keys to reach the “OPTION” menu and press “Enter.” Finally, use the left/right arrow keys to select “Service Pin.”
- ◆ Scroll up to “50” using the left/right arrows and press “Enter” to confirm.

RDM PID

Allows you to set the fixture’s RDM PID code.

- ◆ Access the menu by pressing the “Mode Esc” key.
- ◆ Use the up/down arrow keys to access the “OPTION” menu and press “Enter.” Then use the left/right arrow keys to select “Service Pin.” Finally, use the left/right arrow keys to select “RDM PID.”
- ◆ Use the up/down arrow keys to change the value and left/right to move from one number to the next. Press “Enter” to confirm.

Set IP

Allows you to set the fixture’s IP address.

- ◆ Access the menu by pressing the “Mode Esc” key.
- ◆ Use the up/down arrow keys to access the “OPTION” menu and press “Enter.” Then use the left/right arrow keys to select “Service Pin.” Finally, use the left/right arrow keys to select “set IP.”
- ◆ Use the up/down arrow keys to change the value and left/right to move from one number to the next. Press “Enter” to confirm.

FAN CONTROL

FAN Control

Allows you to choose the fan speed on the fixture head. The options are AUTO, STAGE or STUDIO.

- ◆ Access the menu by pressing the “Mode Esc” key.
- ◆ Use the up/down arrow keys to reach the “OPTION” menu and press “Enter.” Then use the left/right arrow keys to select “Fans Control.”
- ◆ Use the left/right arrow keys to select the fan option. Press “Enter” to confirm.

DISP.SETTING

Shut off Time

Allows the fixture’s LCD display to be turned off after a period of 2 to 59 minutes.

- ◆ Access the menu by pressing the “Mode Esc” key.
- ◆ Use the up/down arrow keys to reach the “OPTION” menu and press “Enter.” Then use the left/right arrow keys to select “Disp.Setting.” Finally, use the left/right arrow keys to select “Shut off Time.”
- ◆ Use the left/right arrow keys to change the value displayed. Press “Enter” to confirm.

Flip Display

Allows you to rotate the display by 180°. This can be highly useful when the fixture is installed with the head facing down.

- ◆ Access the menu by pressing the “Mode Esc” key.
- ◆ Use the up/down arrow keys to reach the “OPTION” menu and press “Enter.” Then use the left/right arrow keys to select “Disp. Setting.” Finally, use the left/right arrow keys to select “Flip Display.”
- ◆ Use the left/right arrow keys to select ON or OFF. Press “Enter” to confirm.

Key Lock

Activates the automatic keypad lock. If this function is enabled, the keys will be automatically locked 15 seconds after exiting edit mode. Hold the MENU key down for 3 seconds to deactivate this function.

- ◆ “Mode Esc” key.
- ◆ Use the up/down arrow keys to reach the “OPTION” menu and press “Enter.” Then use the left/right arrow keys to select “Disp. Setting.” Finally, use the left/right arrow keys to select “Key Lock.”
- ◆ Use the left/right arrow keys to select ON or OFF. Press “Enter” to confirm.

DispFlash

Causes the display to flash as a warning that there is no DMX signal.

- ◆ Access the menu by pressing the “Mode Esc” key.
- ◆ Use the up/down arrow keys to reach the “OPTION” menu and press “Enter.” Then use the left/right arrow keys to access the “Disp. Setting” submenu. Finally, use the left/right arrow keys to select “DispFlash.”
- ◆ Use the left/right arrow keys to select ON or OFF. Press “Enter” to confirm.

SIGNAL SELECT

Signal Select

This menu allows you to choose what type of signal is used to control the fixture (DMX, WDMX, Art-Net or sACN).

- ◆ Access the menu by pressing the “Mode Esc” key.
- ◆ Use the up/down arrow keys to reach the “OPTION” menu and press “Enter.” Then use the left/right arrow keys to select “Signal Select” submenu.
- ◆ Use the left/right arrow keys to select the signal type used. Press “Enter” to confirm.

SET UNIVERSE

Set Universe

- ◆ Access the menu by pressing the “Mode Esc” key.
- ◆ Use the up/down arrow keys to reach the “OPTION” menu and press “Enter.” Then use the left/right arrow keys to select “Set Universe” submenu.
- ◆ Use the up/down arrow keys to scroll through until you locate the desired address and press “Enter” to confirm.

TEMP. C/F

Allows you to select the unit of measurement for the temperature values, in either Celsius or Fahrenheit.

- ◆ Access the menu by pressing the “Mode Esc” key.
- ◆ Use the up/down arrow keys to reach the “OPTION” menu and press “Enter.” Then use the left/right arrow keys to access the “Temp. C/F” submenu.
- ◆ Use the left/right arrow keys to select the unit of measurement. Press “Enter” to confirm.

INITIAL POS.

Controls the initial position of the fixture’s effects.

- ◆ Access the menu by pressing the “Mode Esc” key.

- ◆ Use the up/down arrow keys to reach the “OPTION” menu and press “Enter.” Then use the left/right arrow keys to access the “Initial Pos” submenu.
- ◆ Use the left/right arrow keys to select the desired setting, press “Enter”, and use the left/right arrow keys to change the value. Press “Enter” to confirm.

WIRELESS DMX

This menu allows you to activate, activate and resend data via XLR plug or reset wireless pairing.

- ◆ Access the menu by pressing the “Mode Esc” key.
- ◆ Use the up/down arrow keys to reach the “OPTION” menu and press “Enter.” Then use the left/right arrow keys to access the “Wireless DMX” submenu.
- ◆ Use the left/right arrow keys to activate the setting. Press “Enter” to confirm.

TRIGGER

DMX Value Disp.

Allows you to view the DMX value received for each setting. The “ALL” option will display only the setting being edited.

- ◆ Access the menu by pressing the “Mode Esc” key.
- ◆ Use the up/down arrow keys to reach the “OPTION” menu and press “Enter.” Then use the left/right arrow keys to access the “Trigger” submenu. Use the right/left arrow keys to select “DMX value Disp.”
- ◆ Use the left/right arrow keys to select which setting to display. Press “Enter” to confirm.

Set To Slave

Sets the fixture to SLAVE Mode for receiving instructions from a master luminaire (see Master/Save mode settings, below).

- ◆ Access the menu by pressing the “Mode Esc” key.
- ◆ Use the up/down arrow keys to reach the “OPTION” menu and press “Enter.” Then use the left/right arrow keys to access the “Trigger” submenu. Use the right/left arrow keys to select “Set To Slave.”
- ◆ Use the right/left arrow keys to define whether the fixture is Slave 1, Slave 2 or Slave 3, accordingly. Press “Enter” to confirm.

Auto Program

Allows you to run an internal program (a sequence of scenes) by selecting whether the fixture is operating alone or as a master.

- ◆ Access the menu by pressing the “Mode Esc” key.
- ◆ Use the up/down arrow keys to reach the “OPTION” menu and press “Enter.” Then use the left/right arrow keys to access the “Trigger” submenu. Use the right/left arrow keys to select “Auto Program.”
- ◆ Use the right/left arrow keys to select whether the fixture is “Alone” or “Master.” Press “Enter” to confirm.

Note: See “AUTO” menu to create internal programs.

RESETDEFAULT

Restores the factory default settings on the fixture.

- ◆ Access the menu by pressing the “Mode Esc” key.
- ◆ Use the up/down arrow keys to reach the “OPTION” menu and press “Enter.” Then use the left/right arrow keys to access the “ResetDefault” submenu.
- ◆ Use the right/left arrow keys to select ON to perform a reset to defaults. Press “Enter” to confirm.

INFO

TIME INFO.

Current Time

Shows the number of hours the fixture has been operating since it was powered on.

- ◆ Access the menu by pressing the “Mode Esc” key.
- ◆ Use the up/down arrow keys to reach the “INFO” menu and press “Enter.” Then use the left/right arrow keys to access the “Time Info” submenu.
- ◆ Use the left/right arrow keys to select “Current Time”, and press “Enter” to display the value.

Ttl Life Hrs

Shows the fixture’s total number of hours of operation.

- ◆ Access the menu by pressing the “Mode Esc” key.
- ◆ Use the up/down arrow keys to reach the “INFO” menu and press “enter.” Then use the left/right arrow keys to access the access the “Time Info” submenu.
- ◆ Use the left/right arrow keys to select “Ttl Life Hrs”, and press “Enter” to display the value.

Last Run Hrs

Shows the fixture’s length of operation since the last time this counter was reset.

- ◆ Access the menu by pressing the “Mode Esc” key.
- ◆ Use the up/down arrow keys to reach the “INFO” menu and press “Enter.” Then use the left/right arrow keys to access the access the “Time Info” submenu.
- ◆ Use the left/right arrow keys to select “Ttl Life Hrs”, and press “Enter” to display the value.

Timer PIN

The “Timer PIN” is the password required to reset the counter for “Last Run Hrs.” The PWD is 038.

- ◆ Access the menu by pressing the “Mode Esc” key.
- ◆ Use the up/down arrow keys to reach the “INFO” menu and press “Enter.” Then use the left/right arrow keys to select “Time Info.” Finally, use the left/right arrow keys to select “Timer PIN.”
- ◆ Scroll through using the left/right arrows until 038 appears and press “Enter” to confirm.

CLR LAST RUN

After entering the “Timer PIN”, you can reset the value for “Last Run Hrs” through this menu.

- ◆ Access the menu by pressing the “Mode Esc” key.
- ◆ Use the up/down arrow keys to reach the “INFO” menu and press “Enter.” Then use the left/right arrow keys to access “Clr Last Run” submenu.
- ◆ Use the left/right arrow keys to select “ON” to validate the reset.

TEMP. INFO

Head Temp.

Shows the current temperature of the fixture head.

- ◆ Access the menu by pressing the “Mode Esc” key.
- ◆ Use the up/down arrow keys to reach the “INFO” menu and press “Enter.” Then use the left/right arrow keys to access the “Temp.Info” submenu.
- ◆ Press “Enter” once again to display the temperature of the head.

SOFTWARE VER

Displays the software version of the fixture.

- ◆ Access the menu by pressing the “Mode Esc” key.
- ◆ Use the up/down arrow keys to reach the “INFO” menu and press “Enter.” Then use the left/right arrow keys to access the “Software ver” submenu.
- ◆ Press “Enter” once again to display the software version.

NETWORK

This menu directly displays the following network information for the fixture: IP address, subnet mask and MAC address

- ◆ Access the menu by pressing the “Mode Esc” key.
- ◆ Use the up/down arrow keys to reach the “INFO” menu and press “Enter.” Then use the left/right arrow keys to access the “Network” submenu.
- ◆ Press “Enter” once again to display the information.

TEST**HOME**

Allows you to reset the functions from a DMX controller. You can select these functions by adjusting the channel.

- ◆ Access the menu by pressing the “Mode Esc” key.
- ◆ Use the up/down arrow keys to reach the “TEST” menu and press “Enter.” Then use the left/right arrow keys to access the “Home” submenu.
- ◆ Press “Enter” once again to select “All” or “Pan&Tilt.”

TEST CHANNEL

Tests each of the fixture’s settings (e.g., PAN, TILT).

- ◆ Access the menu by pressing the “Mode Esc” key.
- ◆ Use the up/down arrow keys to reach the “TEST” menu and press “Enter.” Then use the left/right arrow keys to access the “Test Channel” submenu.
- ◆ The fixture then runs in test position. Use the left/right arrow keys to scroll through and test each setting.

MANUAL CTRL.

Allows you to access all the fixture’s settings manually (e.g., PAN, TILT). The shutter and the electronic dimmer are by default 100% open.

- ◆ Access the menu by pressing the “Mode Esc” key.
- ◆ Use the up/down arrow keys to reach the “TEST” menu and press “Enter.” Then use the left/right arrow keys to access the “Manual Ctrl” submenu.
- ◆ Use the left/right arrow keys to scroll through and check each setting.

CALIBRATION

Calibrates certain settings such as Pan, Tilt and Zoom. The password required to access the calibration function is 050.

- ◆ Access the menu by pressing the “Mode Esc” key.
- ◆ Use the up/down arrow keys to reach the “TEST” menu and press “Enter.” Then use the left/right arrow keys to access the “Calibration” submenu.
- ◆ Press “Enter” once again to access the password (050), and press “Enter” to confirm.
- ◆ Use the left/right arrow keys to move from one setting to another and press “Enter” to access the calibration function of the setting. Finally, press “Enter” to confirm the change.

PRESET**SELECT PROG.**

Allows you to select the program for “Program Run.”

EDIT PROG.

Allows you to edit internal programs.

EDIT SCENES

Allows you to edit scenes within the internal programs.

SCENES INPUT

The luminaire features a DMX recorder, which can receive the scenes programmed on your DMX controller. Set the desired number of scenes from the control panel. Then run the scenes from your controller. They will be automatically transmitted to the WILDSUN K25.

MASTER/SLAVE MODE SETTINGS

A MASTER fixture can send up to 3 different sets of data to a SLAVE fixture (e.g., a MASTER fixture can control 3 different SLAVE fixtures which will each perform 3 different programs). The MASTER fixture sends the 3 programs in a continuous loop.

The SLAVE fixture receives data from the MASTER fixture according to the group to which the SLAVE fixture is assigned. For example, if the SLAVE fixture has been assigned to “Slave 1” in the menu “Set to Slave”, the MASTER fixture sends “Auto Program Part 1” to this SLAVE fixture. If it was assigned to “Slave 2”, the SLAVE fixture would receive the program “Auto Program Part 2” from the MASTER fixture.

To launch a program, follow this procedure:

1. 1. Slave Settings - SLAVE fixture adjustment
Use the buttons to select “Function Mode.”
Press ENTER to confirm.
Use the buttons to select “Set slave to.”
Press ENTER to confirm.
Use the buttons to select “Slave 1”, “Slave 2” or “Slave 3.”
Press ENTER to confirm.
Press MODE/ESC to return to the main menu.
2. 2. Automatic Program Run
Use the buttons to select “Function Mode.”
Press ENTER to confirm.
Use the buttons to select “Auto Program.”
Press ENTER to confirm.
Use the buttons to select “Master” or “Alone.” “Master” sets the fixture as the master.
Press ENTER to confirm.
Press MODE/ESC to return to the main menu.
3. 3. Program selection for Auto Pro Part
Use the buttons to select “Edit program.”
Press ENTER to confirm.
Use the buttons to select “Select programs.”
Press ENTER to confirm.
Select “Auto Program Part 1”, “Auto Program Part 2” or “Auto Program

Part 3”, for the Slave program to be sent. Selecting “Part 1” will cause the SLAVE to run the same program as the MASTER fixture.
 Press ENTER to confirm.
 Press MODE/ESC to return to the main menu.

4. 4. Program selection for Edit Program
 Use the buttons to select “Edit program.”
 Press ENTER to confirm.
 Use the buttons to select “Edit program.”
 Press ENTER to confirm.
 Use the buttons to select the desired program.
 You can edit specific scenes in a given program.
 Press ENTER to confirm.
 Press MODE/ESC to return to the main menu.

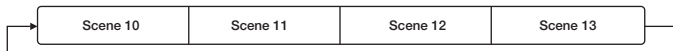
5. 5. Automatic Scene Recording
 Use the buttons to select “Edit program.”
 Press ENTER to confirm.
 Use the buttons to select “Edit scenes.”
 Use the buttons to select the number of desired scenes. (maximum amount: 250 scenes)
 Press ENTER to confirm.
 Press MODE/ESC to return to the main menu.

Example:

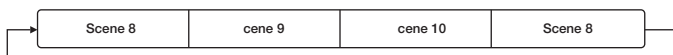
- ”Program 2” includes scenes: 10, 11, 12, 13.
- ”Program 4” includes scenes: 8, 9, 10.
- ”Program 6” includes scenes: 12, 13, 14, 15.
- ”Auto Program Part 1” is “Program 2.”
- ”Auto Program Part 2” is “Program 3.”
- ”Auto Program Part 3” is “Program 6.”

The 3 groups of SLAVE fixtures run the “Auto Program” function in the following sequence:

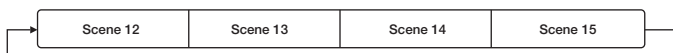
Part 1:



Part 2:

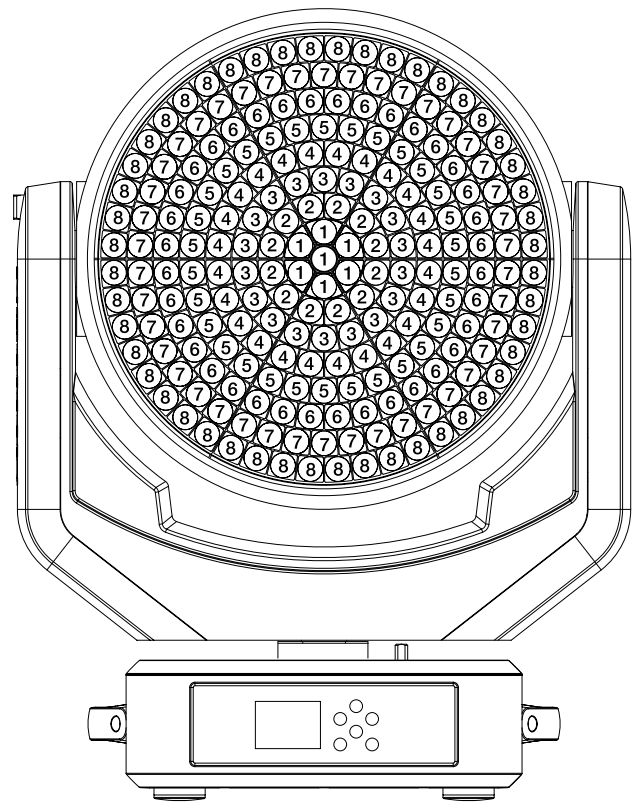


Part 3:



LED MAPPING

The diagram shows the order of the LED addresses from a front view of the luminaire and control panel.



DMX CHART

THE following chart shows the functions and corresponding values for each DMX channel according to mode whether Standard (St), Basic (Ba) or Extended (Ex):

DMX channel's functions and their values (11-14-21-14-22 DMX channels):						
Mode/Channel					Value	Function
Ba	St	Ex	St 16B	Ex 16B		
1	1	1	1	1	0-255	PAN Movement 8bit : Pan Movement
					0-255	Pan Fine 16bit Fine control of Pan movement
2	3	3	3	3	0-255	TILT Movement 8bit : Tilt Movement
					0-255	Tilt Fine 16bit Fine control of Tilt movement
3	5	5	5	5	0-225	Speed Pan/Tilt movement: max to min speed
					226-235	blackout by movement
					236-255	no function
4	6				0-255	White LED -all arrays : White (0-Black , 255-100% White)
					0-255	White LED Fine -all arrays : Fine control for white adjustment

DMX channel's functions and their values (11-14-21-14-22 DMX channels):						
Mode/Channel					Value	Function
Ba	St	Ex	St 16B	Ex 16B		
						White LED Fine -all arrays :
					0-255	Fine control for white adjustment
		13		14		White LED -array 1 :
					0-255	White1 (0-Black , 255-100% White)
						White LED Fine-array 1 :
					0-255	Fine control for white1 adjustment
		14		15		White LED -array 2 :
					0-255	White2(0-Black , 255-100% White)
						White LED Fine -array 2 :
					0-255	Fine control for white2 adjustment
		15		16		White LED -array 3 :
					0-255	White(0-Black , 255-100% White)
						White LED Fine -array 3 :
					0-255	Fine control for white3 adjustment
		16		17		White LED -array 4 :
					0-255	White (0-Black , 255-100% White)
						White LED Fine-array 4 :
					0-255	Fine control for white4 adjustment
		17		18		White LED -array 5 :
					0-255	White (0-Black , 255-100% White)
						White LED Fine -array 5 :
					0-255	Fine control for white5 adjustment
		18		19		White LED -array 6:
					0-255	White (0-Black , 255-100% White)
						White LED Fine -array 6:
					0-255	Fine control for white6 adjustment
		19		20		White LED -array 7 :
					0-255	White (0-Black , 255-100% White)
						White LED Fine-array 7 :
					0-255	Fine control for white7 adjustment
		20		21		White LED -array 8 :
					0-255	White (0-Black , 255-100% White)
						White LED Fine-array 8 :
					0-255	Fine control for white8 adjustment
5	7	6	6	6		Shutter, strobe:
					0-31	LED turn off
					32-63	LED turn on
					64-95	Strobe effect slow to fast
					96-127	LED turn on
					128-159	Pulse-effect in sequences
					160-191	LED turn on
					192-223	Random strobe effect slow to fast
					224-255	LED turn on
6	8	7	7	7		Dimmer intensity:
					0-255	Intensity 0 to 100%
			8	8		Dimmer Fine intensity:
					0-255	Fine control for dimmer adjustment

DMX channel's functions and their values (11-14-21-14-22 DMX channels):						
Mode/Channel					Value	Function
Ba	St	Ex	St 16B	Ex 16B		
						Chase Patterns:
					0-15	LED turn off
					16-31	Chase 1
					32-47	Chase 2
					48-63	Chase 3
					64-79	Chase 4
					80-95	Chase 5
					96-111	Chase 6
					112-127	Chase 7
					128-143	Chase 8
					144-159	Chase 9
					160-175	Chase 10
					176-191	Chase 11
					192-207	Chase 12
					208-223	Chase 13
					224-239	Chase 14
					240-255	Chase 15
						Chase Speed:
					0-125	Fast to Slow Backward
					126-130	Stop(Speed=0)
					131-255	Slow to Fast Forward
						Chase Fade:
					0-255	Fade Chase
						Zoom :
					0-255	Zoom adjustment from 60 to15
						Zoom Fine :
					0-255	Fine control for Zoom adjustment
						Reset, internal programs:
					0-79	Normal
					80-84	All motor reset
					85-87	Scan motor reset
					88-90	no function
					91-93	no function
					94-96	no function
					97-99	Others motor reset
					100-119	Internal program 1 (scene1~8 of EEPROM)
					120-139	Internal program 2 (scene9~16 of EEPROM)
					140-159	Internal program 3 (scene17~24 of EEPROM)
					160-179	Internal program 4 (scene25~32 of EEPROM)
					180-199	Internal program 5 (scene33~40 of EEPROM)
					200-219	Internal program 6 (scene41~48 of EEPROM)
					220-239	Internal program 7 (scene49~56 of EEPROM)
					240-255	no function
7	9	8	9	9		
8	10	9	10	10		
9	11	10	11	11		
10	12	11	12	12		
	13	12	13	13		
11	14	21	14	22		

ERROR MESSAGES

When you turn on the WILDSUN K25, it will first perform an automatic reset. The display may show “Err channel is XX” indicating there is a problem with one or more of the channels. “XX” represents channel 1, 2, 3, 4, 5 or 6, which contain the testing sensor for positioning. For example, the message, “Err channel is Pan movement”, indicates an error in channel 1. If there is an error on channel 1 and channel 3 at the same time, the following error message may appear: “Err channel is Pan movement”, “Err channel is Tilt movement”. The system will flash twice, and the fixture will generate a second reset. If the error message persists after more than two resets, the channels showing errors will not work properly but the other channels will function normally.

Please contact your authorized dealer or manufacturer for service and do not attempt to repair the luminaire yourself.

PAN- MOVEMENT ER

(PAN-yoke movement error): This message will appear after the reset if the yoke’s magnetic-indexing circuit malfunctions (failed sensor or magnet missing) or the stepping-motor is defective (also caused by its driving IC on the main PCB). The PAN- movement does not return to the default position after the reset.

TILT- MOVEMENT ER

(TILT-head movement error): This message will appear after the reset if the head’s magnetic-indexing circuit malfunctions (sensor failed or magnet missing) or the stepping-motor is defective (also caused by its driving IC on the main PCB). The TILT- movement does not return to the default position after the reset.

CARE AND MAINTENANCE

The care and maintenance of your WILDSUN-K25 TC should be ensured by a qualified technician. Your WILDSUN-K25 TC requires regular servicing. The frequency depends essentially on its operating conditions and environment. Intensive use in a dusty environment, or a lack of ventilation around the fixture, may disrupt operation, result in overheating and cause damage that is not covered by the warranty.

WARNING!

Disconnect from mains before servicing.

UPDATING THE LUMINAIRE

Ayrton is continually upgrading this product line. It is therefore possible that a new software version is available that will increase the unit’s capabilities.

Updates are performed using Ayrton’s update box. Contact your dealer for more information.

To display the version of your device, go into the “Info” menu and select “Software version” (see options details under the “INFO” menu). It is advisable to use the same software version for multiple fixtures.

CLEANING

Your WILDSUN-K25 TC requires cleaning at regular intervals. Be aware that accumulated dust and residue on the air vents, body and glass of the fixture may reduce efficiency and impair proper operation.

Before cleaning, disconnect the power cable from source.

Use compressed air to blow away dust particles accumulated on and between the cooling fins at the rear of the luminaire’s optical system.

Clean the glass of the fixture with a slightly damp soft cloth. When necessary, use a non-alcohol-based glass cleaner. Never use harsh solvents!

WARNING!

Never use alcohol or any chemical agent to clean the optical system of an Ayrton product.

COMPLIANCE CHECK

Your installation should be checked regularly by certified service center. In addition, the following should be checked once a year by a qualified technician:

- The fixture’s attachment system must be correctly installed and show no sign of corrosion.
- The fixture’s mounting bracket should not be distorted in any way or show any trace of corrosion.
- The safety cable should be attached at the appropriate spot.
- Mechanical parts should show no sign of wear.
- The electrical cables should show no sign of wear, cuts or splices.

TECHNICAL SPECIFICATIONS

OPTICAL

- High-efficiency optical system
- Opening angle of the beam: 10° to 60°

LIGHT SOURCE

- 217 high-power white mono-chip LED emitters
- Brightness: up to 63,000 lumens
- Estimated lifespan of LED emitters: 50,000 hours
- Guaranteed “no-flicker” effect perfectly suited for television applications and all video recorded events

DIMMER, STROBE

- Electronic dimmer for light adjustment from 0 to 100% without color change (16-bit)
- High-speed strobe effect in white or color at 1 to 25 flashes/second
- Pre-programmed variable strobe effects

SOFTWARE FEATURES

- Full menus for setting DMX address and advanced functions
- Compatible with the DMX/RDM (Remote Device Management) protocol
- Pre-programmed macro modes
- Information menu including: timer, temperature, software version, etc.

CONTROL

- USITT DMX512
- Automatic features for managing your luminaire without a DMX console
- DMX RDM-compatible
- Integrated control panel with LCD display and 6 buttons
- DMX512 input/output
- Choice of 5 DMX modes (from 11 to 22 channels)
- Wireless System: LumenRadio wireless CRMX RDM receiver

POWER SUPPLY

- Electronic power distribution with Power Factor Correction (PFC) from 110-240 VAC, 50/60 Hz
- 1600 Watt maximum power
- Power supply via powerCON TRUE1 connector
- Supplied AC power cable plug

COOLING

- Advanced forced-air cooling system
- Self-adjusting fan for reduced noise level (in AUTO mode)
- User-selectable air-cooling modes

CONSTRUCTION

- Covers: molded PC-ABS thermoplastic, class V0 (fire retardant)
- Chassis: steel plates and aluminum
- 2 handles for transport
- Protection rating: IP20 (indoor use only)
- Finish: Carbon black

INSTALLATION

- 2 OMEGA brackets with quarter-turn locks included
- Safety cable attachment

OPERATING PARAMETERS

- Operating positions: on floor or attached to a support (no flag positioning)
- Maximum authorized ambient temperature (Ta Max): 45°C (113°F)
- Minimum authorized ambient temperature (Ta Min): -10°C (14°F)
- Minimum projection distance: 5 m

DIMENSIONS

- Product: 539 mm x 696 mm x 348 mm (L x H x D)
- Protective foam: 600 mm x 720 mm x 410 mm (L x H x D)

WEIGHT

- Product: 38 kg
- Product in packaging with accessories: 55kg

PRODUCT CODE

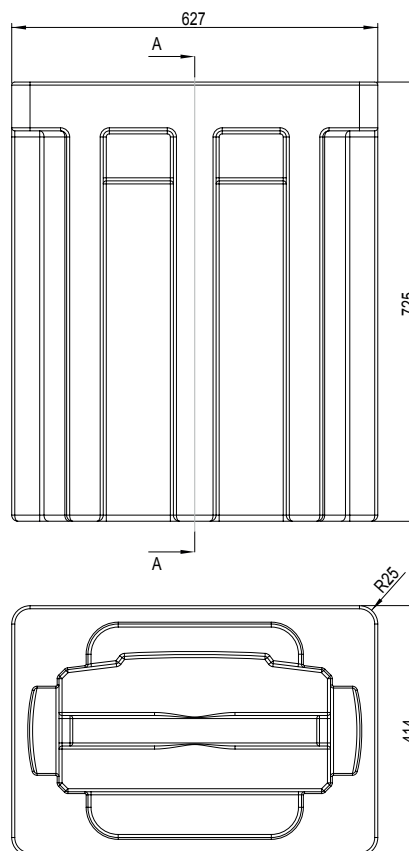
- 013830: WILDSUN-K25 TC AUTOMATED LUMINAIRE

FOAM FOR FLIGHT CASE

WILDSUN-K25 TC is delivered in a carton packed with a dense, protective foam surrounding the fixture. This reusable protective shell is intended for a flight case that can be custom built for the luminaire.

AYRTON does not offer custom flight cases for the WILDSUN K25. This accessory is to be provided by the user.

The main dimensions of the protective shell appear in the following diagram:



WARRANTY

The AYRTON WILDSUN-K25 TC fixture is guaranteed against manufacturing defects for the duration of one (1) year from the date of purchase. This warranty does not cover the unit for evidence of physical shock or damage caused by abuse or any use not in accordance with the operating conditions set forth in the present user manual.

In addition, cosmetic defects caused by the normal wear and tear of the unit are not covered under the warranty.

Any modification to the fixture will void the warranty. AYRTON cannot under any circumstances be held liable for quality and conformity regarding the installation of this product, which is the responsibility of the installer.

Broken glass lenses on the WILDSUN K25, and any damage that could arise thereof, are excluded from the warranty. Any possible cosmetic defects, provided you report them to your AYRTON dealer upon unpacking the device and before use, may be covered by the warranty.

Note:

The manufacturer is not responsible for any errors or omissions that may

occur in this document. All information contained in this manual is subject to change without notice.



AYRTON
Digital Lighting